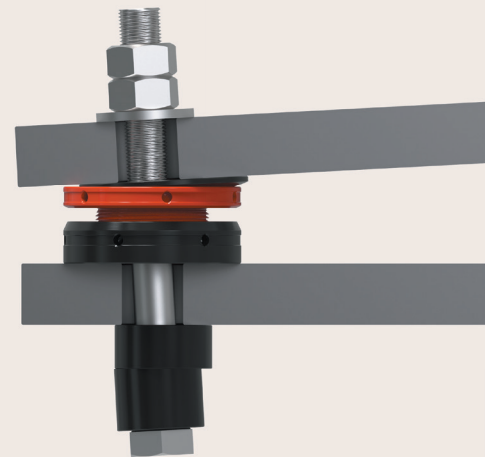




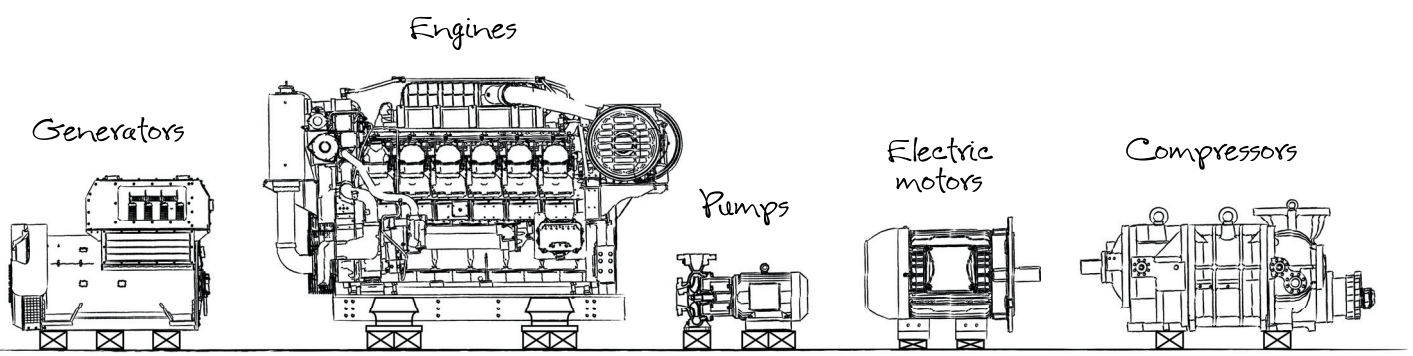
# ROTACHOCK® BASICLINE

*RotaChock® is an adjustable, self-leveling, and reusable chock for mounting rotating equipment. The RotaChock® BasicLine is a blend of engineering and years of field experience that has resulted in a robust, stiff, and elegant gap-filler to end machinery Soft-Foot.*

- ✓ **ROTACHOCK® ELIMINATES SOFT-FOOT**
- ✓ **ROTACHOCK® FILLS THE PARALLEL AND ANGULAR GAP**
- ✓ **ROTACHOCK® IS RE-ADJUSTABLE, MAKING REALIGNMENT EASY**
- ✓ **ROTACHOCK® SAVES TIME AND MONEY OVER OTHER CHOCKING SOLUTIONS**

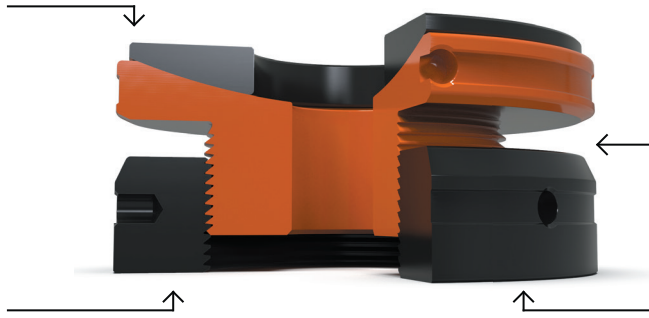


**ROTACHOCK® CAN BE USED FOR MOUNTING ALL TYPES OF ROTATING AND CRITICALLY ALIGNED EQUIPMENT, LIKE**



## ROTACHOCK® BASICLINE DESIGN HAS THE FOLLOWING DESIGN FEATURES

Spherical top ring for angular difference up to 4° between the machine foot and the foundation.



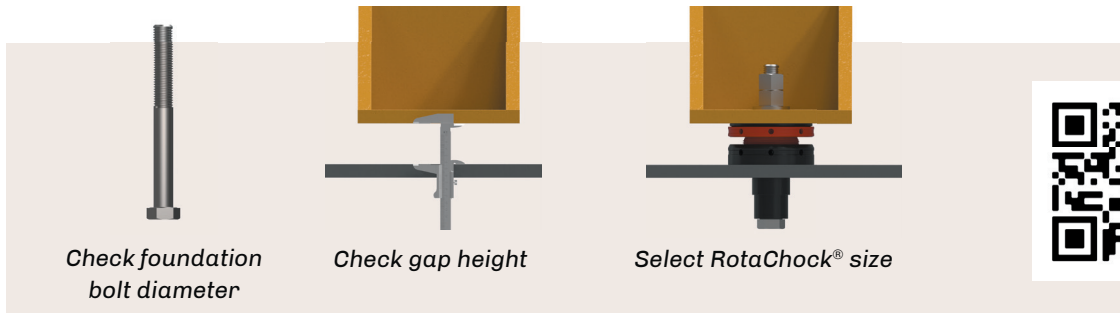
Tool groove and holes to aid installation with a wide range of tools.

Buttress thread design for maximum strength and stiffness.

Standard ACE finish: Anti-Corrosion Enhanced for cost-effective corrosion protection.

The footprint is large and reduces surface pressure.

## ROTACHOCK® SELECTION IS EASY



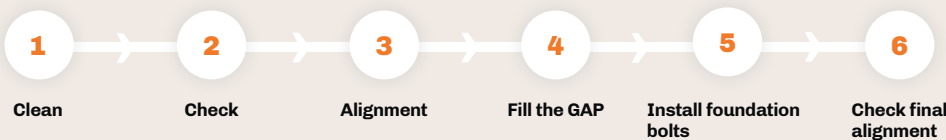
Scan QR for the RotaChock® selection tool

## ROTACHOCK® BASICLINE DIMENSION CHART

The standard RotaChock® BasicLine are manufactured from S355 (DIN1.0570) and Anti-Corrosion Enhanced.

RotaChock® BasicLine	Rated load	Outside ø	Thread ø	Inside ø	Min. height	Design height	Max. height	Standard bolt size	Optional bolt size	Reduced min. height	Pitch	Weight
	kN	mm	mm	mm	mm	mm	mm	M	M	mm	mm	kg
RC2-C	100	51	30	17	30	34	38	10/16	18	23	1.6	0.4
RC3-C	150	76	45	21	35	40	45	16/20	24	23	1.6	1.1
RC4-C	200	102	65	28	40	47	53	20/27	30	28	2.1	2.2
RC4.5-C	300	114	73	31	45	53	60	24/30	33	31	2.1	3.1
RC5-C	400	127	80	37	50	58	67	30/36	39	32	2.1	4.3
RC6-C	600	152	95	41	55	65	74	36/39	45	37	2.1	6.8
RC7-C	900	178	120	46	60	68	76	42/45	48	45	3.2	10.1
RC8-C	1200	203	135	54	70	81	91	48/52	56	50	3.2	15.3
RC9-C	1600	229	160	66	75	84	93	56/64	68	58	3.2	20.7
RC10-C	2000	254	180	74	80	89	98	64/72	76	63	4.2	27.3

## TO INSTALL ROTACHOCK® YOU MUST COMPLETE FOLLOWING STEPS



Scan QR for the installation video



© RotaChock is a registered trademark of Chock Design B.V.  
© Chock Design B.V. 2021

The contents of this publication are the copyright of the publisher and may not be reproduced (even extracts) without prior written permission having been granted. Every care has been taken to ensure the accuracy of the information in this publication. Still, no liability can be accepted for any loss or damage, whether direct, indirect, or consequential, arising from using the information contained herein.